

Business Card CD-R White Glossy Label Specifications

● Non-Printing Area
Do Not Knock Out

Dotted lines indicate bleeds

Printable Area:

Outer Diameter 77mm X 58mm

Center Diameter 16mm

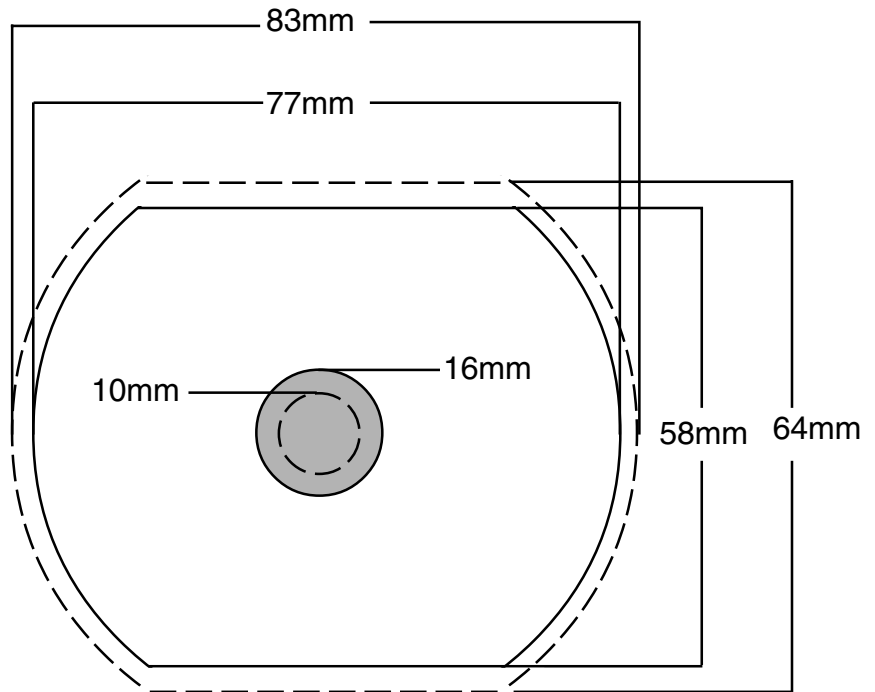
Dimensions:

Outer Bleed 83mm X 64mm

Outer Diameter 77mm X 58mm

Center Diameter 16mm

Center Bleed 10mm



CD ART

- If the art work covers the entire label allow 3.175mm (1/8") bleed for outer and inner diameter of label.
- All images should be saved as a high res image (300dpi) to ensure a quality print.

ARTWORK SUBMISSION

E-mail artwork to your sales representative (or to dot-sales@disk-o-tape.com) or send it on CD-R, CD-RW, DVD-R, DVD-RW, DVD+R, DVD+RW, Zip 100MB or 250MB or 3.5" diskette.

SOFTWARE SUPPORTED

- PC & MAC: Adobe Illustrator CS2, Photoshop 7.0, PageMaker 6.5, QuarkXPress 6.0, InDesign CS2

PREFERRED FILE FORMATS

- All placed artwork should be in TIF or EPS format or from one of our software supported packages.
- Other formats may require additional charges.
- Provide each image in at least two file formats.
- Include all original files needed for output including all linked files & placed images.
- Include printed sample of artwork layout.

FONTS

- All fonts must be included with your art files. If you are providing a type 1 font include both the screen and printer fonts or convert all fonts into an outline graphic.

DISK-O-TAPE, INC.

23775 Mercantile Road Cleveland, OH 44122-5990

216-765-TAPE (8273) 800-932-TAPE (8273) Fax: 216-765-0436

07/12/06

E-Mail: dot-sales@disk-o-tape.com

Web: www.disk-o-tape.com