

# Business Card CD-R

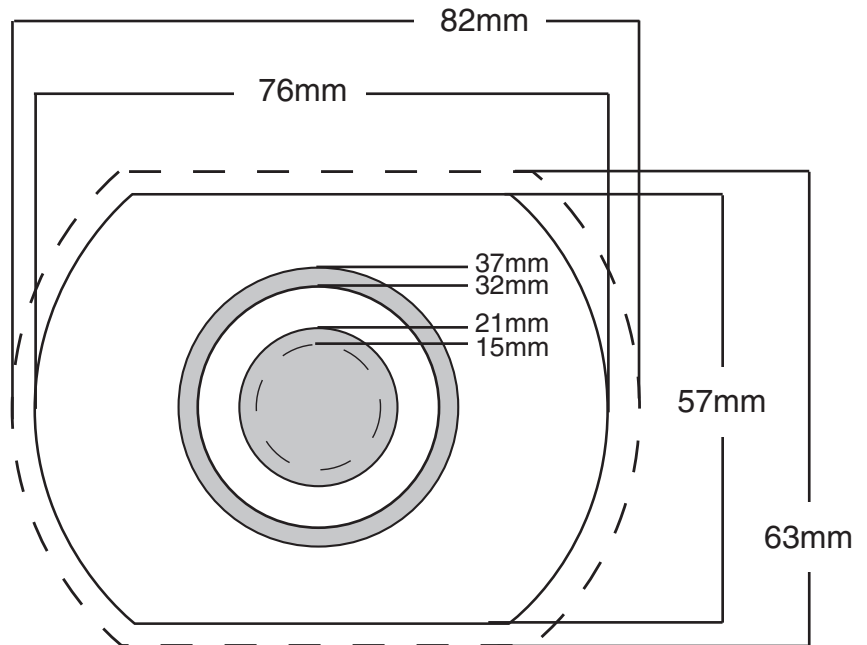
## Silk Screen and Digital Offset Specifications



Dotted lines indicate bleeds

Printable area:  
37mm - 57mm  
21mm - 32mm

Dimensions:  
Outer Bleed 82mm X 63mm  
Outer Diameter 76mm X 57mm  
Stacking Ring 32-37mm  
Center Hole 21mm  
Center Bleed 15mm



### CD ART

- A solid flood coat is required. (Color optional, Usually white)
- Please allow a 1/8".125 or 3mm bleed around the outside and inside print area of disc.
- Please insure that output file is a minimum of 300 DPI.
- Minimum line width is .5pt or .75pt if reversed.
- Minimum font size is 5pt.
- Minimum font size in knock out or reversed out form is 6pt bold.
- Minimum font size reversed out of halftone print without a white base is 7pt bold.
- Halftones should have a tonal range of 20% to 80%.
- Trapping should be performed at a minimum of .5pt.
- Specify all colors needed.
- Make sure all Photoshop files are CMYK rather than RGB.
- If art work is being prepared out of Photoshop and spot colors are desired special attention may be needed, please call.
- If spot colors are being used convert them from any prior CMYK or RGB colors.
- Use only Pantone Matching System (PMS) for all spot colors.
- Colors printed on discs may vary from colors printed on paper.

### ARTWORK SUBMISSION

- E-mail artwork to your sales representative (or to dot-sales@disk-o-tape.com) or send it on CD-R, CD-RW, DVD-R, DVD-RW, DVD+R, DVD+RW, Zip 100MB or 250MB or 3.5" Diskette.

### SOFTWARE SUPPORTED

- PC & MAC: Adobe Illustrator CS2, Photoshop 7.0, PageMaker 6.5, QuarkXPress 6.0, InDesign CS2

### PREFERRED FILE FORMATS

- All placed artwork should be in TIF or EPS format or from one of our software supported packages.
- Other formats may require additional charges
- Provide each image in at least two file formats.
- Include all original files needed for output including all linked files & placed images.
- Include printed sample of artwork layout.

### FONTS

All fonts must be included with your art files. If you are providing a type 1 font include both the screen and printer fonts or convert all fonts into an outline graphic.

**DISK-O-TAPE, INC.**

23775 Mercantile Road Cleveland, OH 44122-5990  
216-765-TAPE (8273) 800-932-TAPE (8273) Fax: 216-765-0436

E-Mail: dot-sales@disk-o-tape.com

Web: www.disk-o-tape.com

07/12/06