

CD-R Silk Screen and Digital Offset Specifications

Up To Stacking Ring

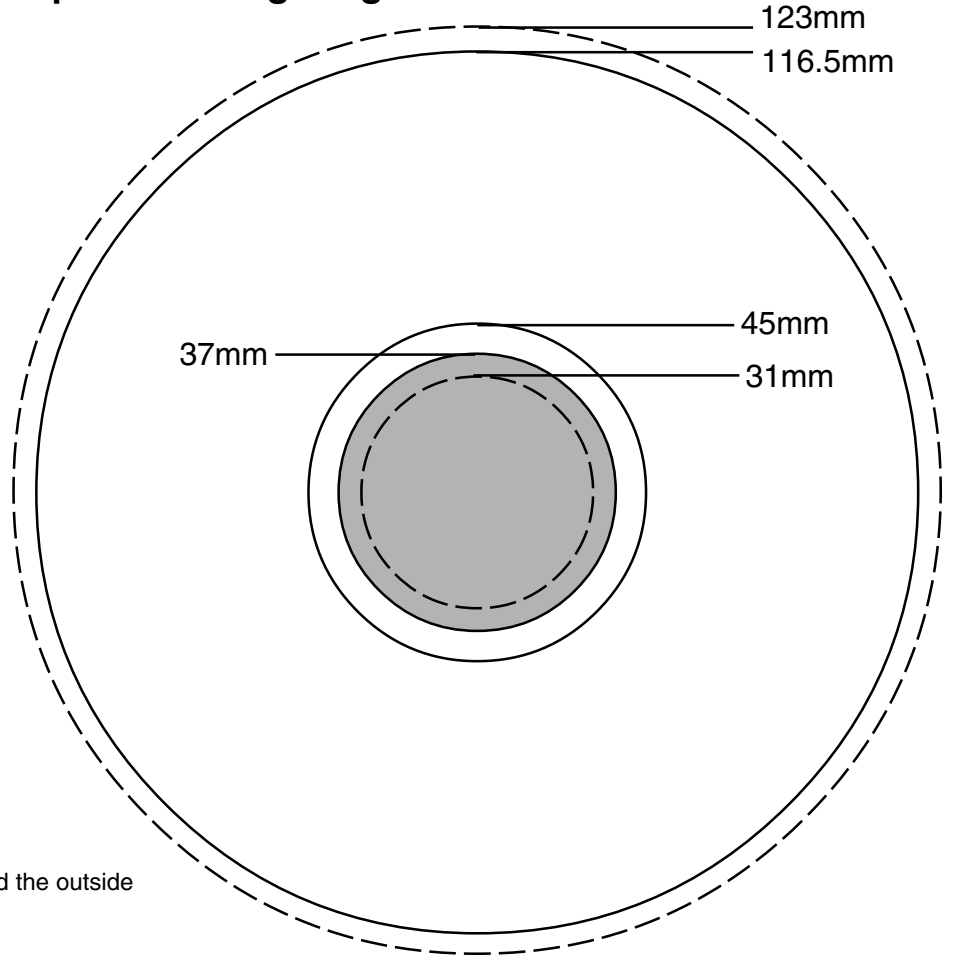
● Non-Printing Area
Do Not Knock Out.

Dotted lines indicate bleeds

Printable Area:
37mm - 116.5mm

Dimensions:

Outer Bleed	123mm
Outer Diameter	116.5mm
Mirror Band	37-45mm
Stacking Ring	37mm
Center Bleed	31mm



CD ART

- Please allow a 1/8" (.125) or 3mm bleed around the outside and inside print area of disc.
- All output files must be a minimum of 300dpi.
- Minimum line width is .5pt or .75pt if reversed.
- Minimum font size is 5pt.
- Minimum font size in knock out or reversed out form is 6pt bold.
- Minimum font size reversed out of halftone print without a white base is 7pt bold.
- Halftones should have a tonal range of 20% to 80%.
- Trapping should be performed at a minimum of .5pt.
- Include printed sample of artwork layout.
- Specify all colors needed.
- Use only Pantone Matching System (PMS) colors unless art is CMYK.
- If spot colors are being used (PMS) convert them from any prior CMYK or RGB colors.
- Make sure all Photoshop files are CMYK rather than RGB.
- If art work is being prepared in Photoshop and spot colors are desired, special attention may be needed. Please call.
- Colors may appear darker without a white flood coat (especially halftones).
- A white flood coat is recommended for all CMYK art.
- Colors printed inside 45mm will vary due to the mirror band unless a flood coat is applied.
- When printing into the mirror band (37-45mm) it is recommended that the art work cover **all** of the mirror band unless a flood coat has been applied..
- Colors printed on discs may vary from colors printed on paper.

ARTWORK SUBMISSION

E-mail artwork to your sales representative (or to dot-sales@disk-o-tape.com) or send it on CD-R, CD-RW, DVD-R, DVD-RW, DVD+R, DVD+RW, Zip 100MB or 250MB or 3.5" diskette.

SOFTWARE SUPPORTED

- PC & MAC: Adobe Illustrator CS2, Photoshop 7.0, PageMaker 6.5, QuarkXPress 6.0, InDesign CS2

PREFERRED FILE FORMATS

- All placed artwork should be in TIF or EPS format or from one of the software supported packages.
- Other formats may require additional charges.
- Provide each image in at least two file formats.
- Include all original files needed for output including all linked files & placed images.
- Included printed sample of artwork layout.

FONTS

- All fonts must be included with your art files. If you are providing a type 1 font include both the screen and printer fonts or convert all fonts into an outline graphic.

DISK-O-TAPE, INC.

E-Mail: dot-sales@disk-o-tape.com

23775 Mercantile Road Cleveland, OH 44122-5990
216-765-TAPE (8273) 800-932-TAPE (8273) Fax: 216-765-0436

Web: www.disk-o-tape.com

07/12/06