

# DVD-10 Silk Screen Specifications

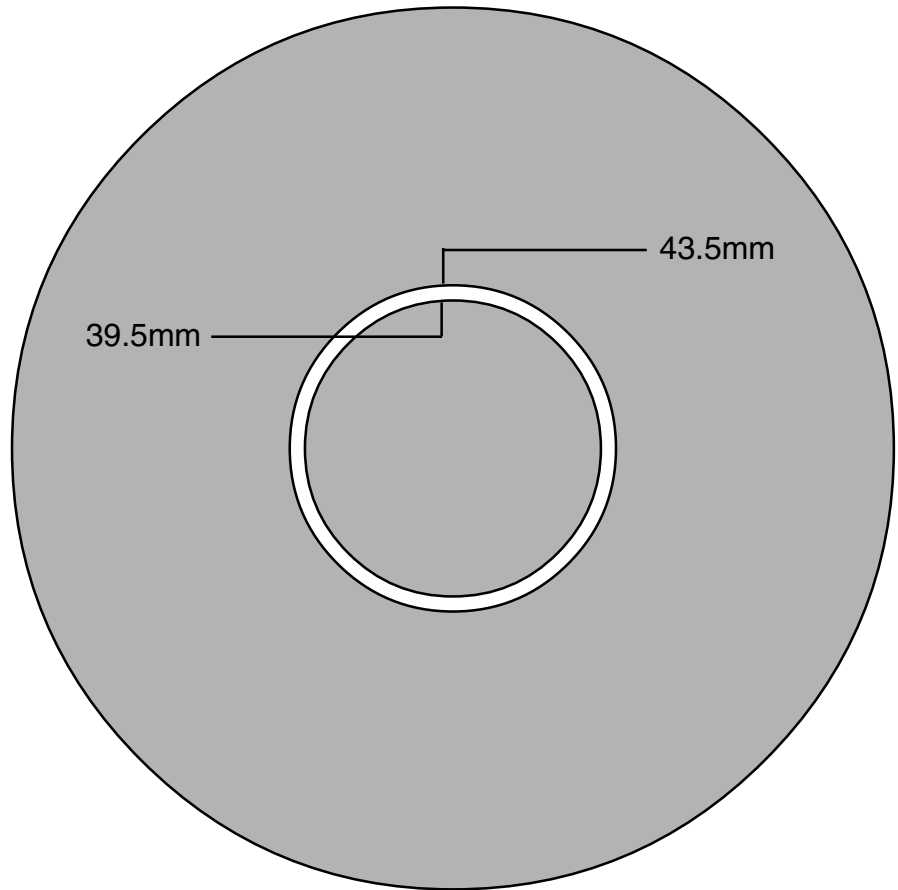
(Printing is allowed from 39.5mm dia. to 43.5mm dia. only.)

○ Non-Printing Area

Printable Area:  
39.5mm - 43.5mm

Only text is allowed.

All type should be 5pt **bold**  
SANS SERIF and a minimum  
line width of 0.5pt.



## CD ART

- Only text printing is allowed.
- All Type Should Be 5pt Bold SANS SERIF And A Minimum Line Width of 0.5pt.
- All output files must be a minimum of 300dpi.
- Include two hard copy color proofs with your art.
- Specify all colors needed.
- Use only Pantone Matching System (PMS) colors unless art is CMYK.
- If spot colors are being used (PMS) convert them from any prior CMYK or RGB colors.
- Make sure all Photoshop files are CMYK rather than RGB.

## ARTWORK SUBMISSION

E-mail artwork to your sales representative (or to dot-sales@disk-o-tape.com) or send it on CD-R, CD-RW, DVD-R, DVD-RW, DVD+R, DVD+RW, Zip 100MB or 250MB or 3.5" diskette.

## SOFTWARE SUPPORTED

- PC & MAC: Adobe Illustrator CS2, Photoshop 7.0, PageMaker 6.5, QuarkXPress 6.0, InDesign CS2

## PREFERRED FILE FORMATS

- All placed artwork should be in TIF or EPS format or from one of our software supported packages.
- Other formats may require additional charges.
- Provide each image in at least two file formats.
- Include all original files needed for output including all linked files & placed images.
- Include printed sample artwork layout.

## FONTS

- All type should be 5pt bold SANS SERIF and a minimum line width of 0.5pt.
- All fonts must be included with your art files. If you are providing a type 1 font include both the screen and printer fonts or convert all fonts into an outline graphic.

**DISK-O-TAPE, INC.**

E-Mail: dot-sales@disk-o-tape.com

23775 Mercantile Road Cleveland, OH 44122-5990  
216-765-TAPE (8273) 800-932-TAPE (8273) Fax: 216-765-0436

Web: www.disk-o-tape.com

07/12/06