

DVD-5 & DVD-9 Silk Screen Specifications

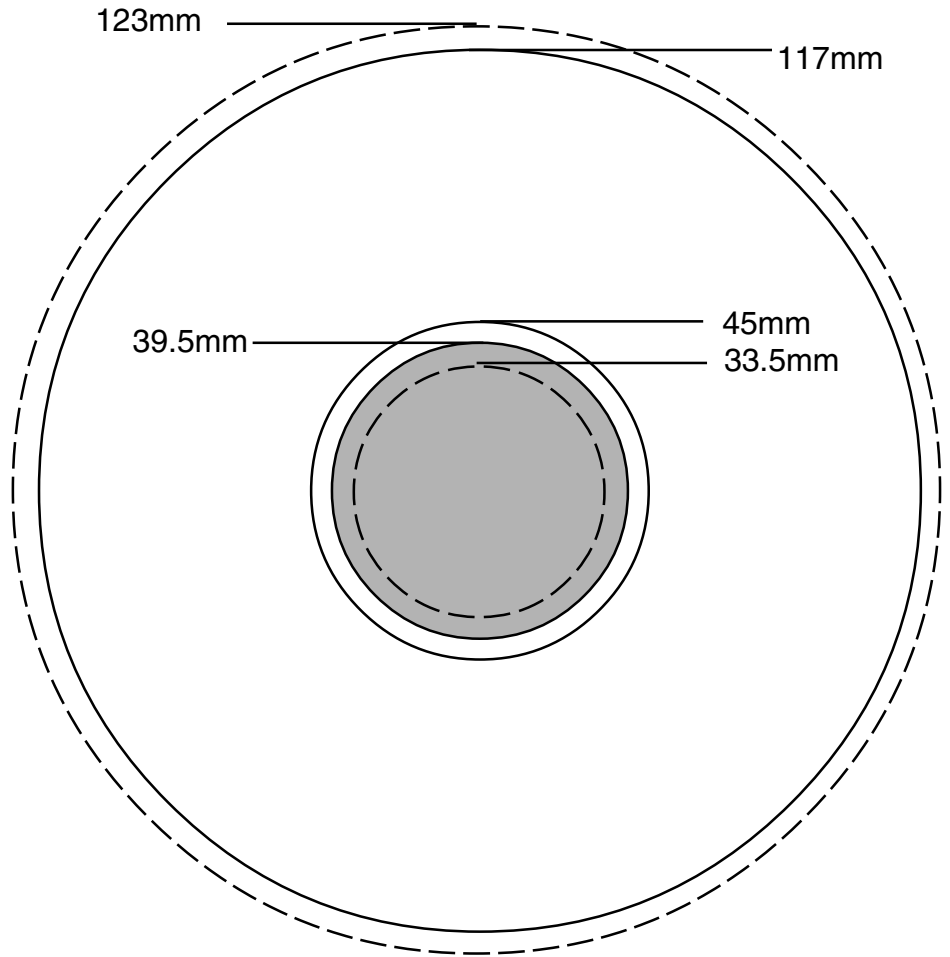
● Non-Printing Area
Do Not Knock Out

Dotted lines indicate bleeds

Printable Area:
45mm - 117mm

Optional-Printing Area:
39.5mm - 45mm

Dimensions:
Outer Bleed 123mm
Outer Diameter 117mm
Mirror Band 39.5-45mm
Center Bleed 33.5mm



CD ART

- All output files must be a minimum of 300dpi.
- Minimum line width is .5pt or .75pt if reversed.
- Minimum font size is 5pt.
- Minimum font size in knock out or reversed out form is 6pt bold.
- Minimum font size reversed out of halftone print without a white base is 7pt bold.
- Halftones should have a tonal range of 20% to 80%.
- Trapping should be performed at a minimum of .5pt.
- Include two hard copy color proofs with your art.
- Specify all colors needed.
- Use only Pantone Matching System (PMS) colors unless art is CMYK.
- If spot colors are being used (PMS) convert them from any prior CMYK or RGB colors.
- Make sure all Photoshop files are CMYK rather than RGB.
- The artwork on your CD will be printed on silver. Sometimes you can use this to your benefit, but we often recommend a white background (flood) to produce the desired result. This white background is considered an additional color.
- A white flood coat is recommended for all CMYK art.
- Colors printed inside 45mm will vary due to the mirror band and/or the clear hub.
- When printing into the mirror band (39.5mm - 45mm) a flood coat is recommended to insure that the art work colors do not change in appearance.

ARTWORK SUBMISSION

E-mail artwork to your sales representative (or to dot-sales@disk-o-tape.com) or send it on CD-R, CD-RW, DVD-R, DVD-RW, DVD+R, DVD+RW, Zip 100MB or 250MB or 3.5" diskette.

SOFTWARE SUPPORTED

- PC & MAC: Adobe Illustrator CS2, Photoshop 7.0, PageMaker 6.5, QuarkXPress 6.0, InDesign CS2

PREFERRED FILE FORMATS

- All placed artwork should be in TIF or EPS format or from one of our software supported packages.
- Other formats may require additional charges.
- Provide each image in at least two file formats.
- Include all original files needed for output including all linked files & placed images.
- Include printed sample of artwork layout.

FONTS

- All fonts must be included with your art files. If you are providing a type 1 font include both the screen and printer fonts or convert all fonts into an outline graphic.

DISK-O-TAPE, INC.

E-Mail: dot-sales@disk-o-tape.com

23775 Mercantile Road Cleveland, OH 44122-5990
216-765-TAPE (8273) 800-932-TAPE (8273) Fax: 216-765-0436

Web: www.disk-o-tape.com

07/12/06